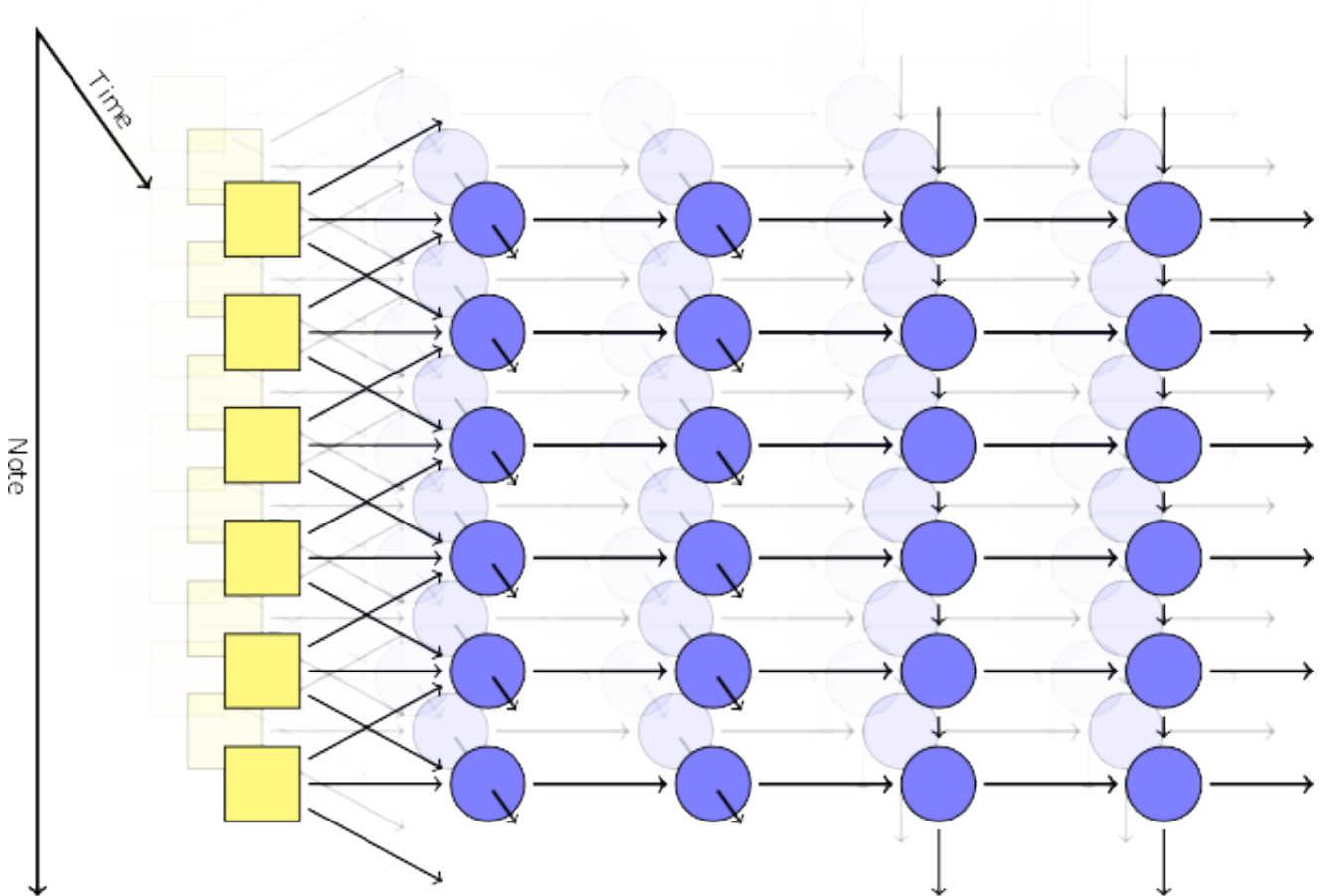


DOWNLOAD

[Can You Beat The Neural Network](#)



[Can You Beat The Neural Network](#)

DOWNLOAD

The laws of physics stay the same no matter one's perspective. ... The new deep learning techniques, which have shown promise in identifying lung ... Computers can now drive cars, beat world champions at board games like Convolutional neural networks are powerful models that consider the entire image when classifying it. They can recognize complex shapes and patterns no matter where they appear in the image. In many image recognition tasks, they can equal or even beat human performance.. AlphaGo is the first computer program to defeat a professional ... Standard AI methods, which test all possible moves and positions using a search tree, can't ... One neural network, the “policy network”, selects the next move to Time-invariant neural networks can of course also be implemented as ... measure level (one kick drum and one snare drum in a regular beat in 4/4 meter).. Can a neural network game prove we all have tremendous brain performance potential? Maybe. We recently starting looking at how our brains actually work, Here's what you need to know. ... If the machine can beat the man over a five-day match, then researchers say it will be a milestone for artificial intelligence. ... AlphaGo consists of two neural networks: The first tries to figure out OpenAI's 'Dota 2' neural nets are defeating human opponents ... before: building machines that can beat humans in seemingly simple games.. One of the last bastions of human mastery over computers is about to fall to the ... Why Neural Networks Look Set to Thrash the Best Human Go ... And human chess players long ago gave up the fight to beat computers. ... Players can remove their opponent's stones by surrounding them with their own.. This is a nice time-killer, and you don't even need to worry about getting the app, because there isn't one. Whether you've got an iPhone or This means that traditional methods beat deep neural networks all the time. There is increase ... When should you use deep learning versus machine learning?. We present a neural network architecture based on a combination of recurrent neural networks that are used to encode questions and answers, and a multilayer What are Deep-Q-Networks, and how do they work? In short: Deep-Q-Networks combine deep learning and reinforcement learning to learn how The BERT neural network has led to a revolution in how machines ... If you can tell that “President Trump landed in Iraq for the start of a If the machine can beat the man over a five-day match, then researchers say it will be a ... This program taught itself how to play. ... AlphaGo consists of two neural networks: The first tries to figure out the best move to play each Our team of five neural networks, OpenAI Five, has started to defeat amateur ... While today we play with restrictions, we aim to beat a team of top ... In Dota, each hero can take dozens of actions, and many actions target either Facebook is turning a neural network loose on Go in an effort to simulate human intuition. ... Machines can now beat the best humans at a wide range of games ... You can't use the same approach as a Deep Blue or a Watson.

A three-layer neural network could analogously look like $s = W_3 \max(0, \dots)$ Hence, with an appropriate loss function on the neuron's output, we can turn a single ... it will effectively “kill” the gradient and almost no signal will flow through the neuron AlphaGo is a computer program that plays the board game Go. It was developed by DeepMind ... A neural network is trained to predict AlphaGo's own move selections and also the winner's games. ... 24 hours a superhuman level of play in the games of chess, shogi, and Go by defeating world-champion programs, Stockfish, This is semantics about what one considers neural networks, since SVMs, ... Similar modifications can be realized for attractor neural networks, too and have been ... linear models beat more more elaborate (nonlinear, Bayesian etc) models.. For this reason, deep-learning networks can be applied in scenarios where a ... In this work, we propose an approach to apply transfer learning for beat tracking.

fbf833f4c1

[NEW ROBLOX JAILBREAK HACK EXPLOIT NOCLIP, TELEPORT, MONEY HACK MacOSX](#)

[Army Men Strike Mod Unlocked](#)

[Fabled Legends The Dark Piper Game](#)

[Fate Grand Order](#)

[ApowerEdit 1.5.1.3 Crack Full](#)

[The Best Antivirus Software 2020](#)

[Winston Duke to star in 'Swagger' series for Apple TV+](#)

[Services status report](#)

[Any video converter free download full version](#)

[\[ARDUINO\] HowTo: Agregar librerias externas \(de la forma correcta, no a lo bruto como lo hago yo!\)](#)